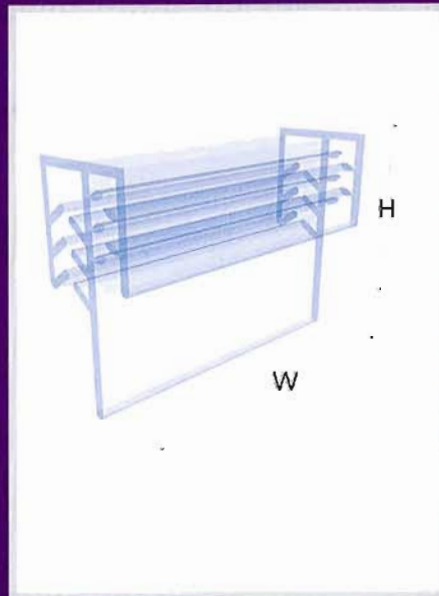
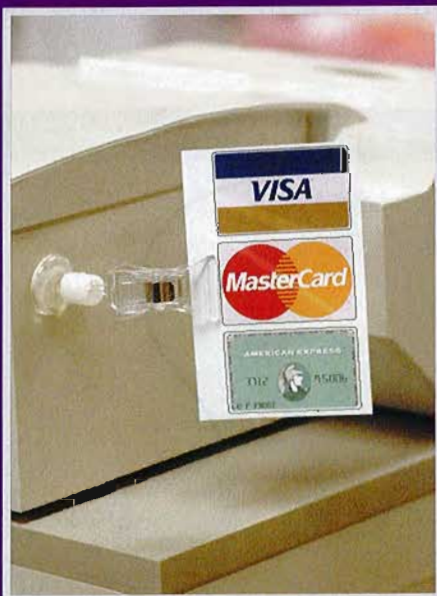




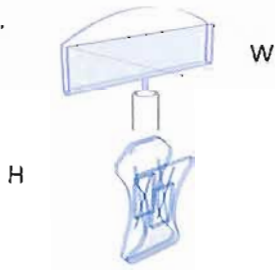
POS fixtures & fittings

Swivo•Clips™ ... Grippers... and Suckers



Swivo·Clips™

With Sign Holder



PZ0049

All dimensions in mm.

Product Code	W	D	H
PZ0049 - Polycarbonate	25	-	73
PZ0115 - Polycarbonate	25	-	177

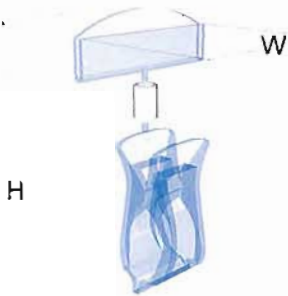
Single clear spring-clip connected with ball and socket Swivo joint to a clear sign holder. PZ0155 has a 102mm extender. Clip designed to go over material up to 9.5mm thick. Sign holder accepts up to 0.5mm POS. High quality polycarbonate with sprung steel mechanism.

Extended Sign Holder



PZ0115

With Sign Holder



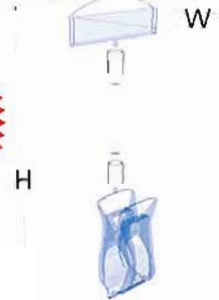
PZ0052

All dimensions in mm.

Product Code	W	D	H
PZ0052 - Polycarbonate	54	-	102
PZ0053 - Polycarbonate	54	-	152

Single clear spring-clip connected with ball and socket Swivo joint to a clear sign holder. PZ0053 has a 50mm extender. Silica-gel coated clip for secure, scratch-resistant grip. Sign holder accepts up to 0.5mm POS. High quality polycarbonate with sprung steel mechanism.

Extended Sign Holder



PZ0053

SPRING STEEL CLIP
for extra grip

With Sign Holder



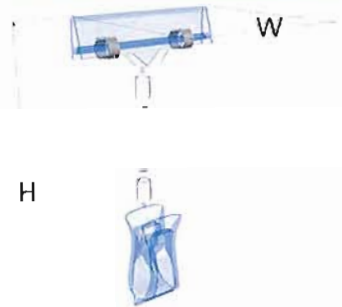
PZ0054

All dimensions in mm.

Product Code	W	D	H
PZ0054 - Polycarbonate	80	-	105
PZ0055 - Polycarbonate	80	-	159

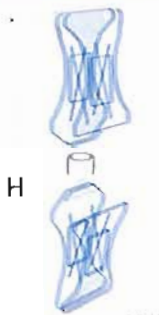
Single clear spring-clip connected with ball and socket Swivo joint to a clear sign holder. PZ0055 has a 50mm extender. Silica-gel coated clip for secure, scratch-resistant grip. Sign holder accepts up to 9.5mm POS. High quality polycarbonate with sprung steel mechanism.

Extended Sign Holder



PZ0055

Double Swivo-Clip



PZ0048

All dimensions in mm.

Product Code	W	D	H
PZ0048 - Polycarbonate	19	-	38
PZ0050 - in black	19	-	311
PZ0051 - in white	19	-	311

Two clear spring-clips connected with ball and socket Swivo joint. Each clip holds up to 9.5mm POS. High quality polycarbonate with sprung steel mechanism. PZ0050 has a flexible extender in black, PZ0051 in white.

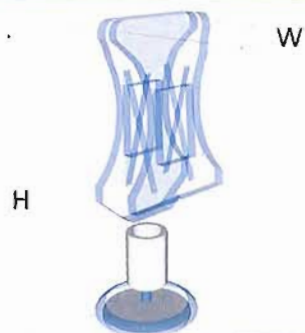
Extended Sign Holder



PZ0050

Swivo·Clips™

Memo Clip



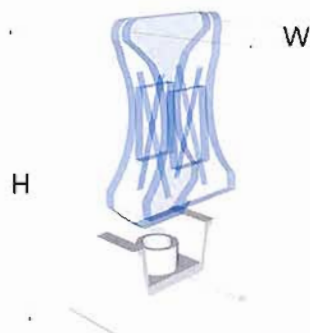
PZ0056

All dimensions in mm.

Product Code	W	D	H
PZ0056 - Polycarbonate	20	-	54
PZ0057 - Polycarbonate	30	-	54

Each clip holds up to 9.5mm POS.
 PZ0056 - Clear spring-clip connected to adhesive base with ball and socket Swivo joint. PZ0057 - Clear spring-clip connected to freestanding M base with ball and socket Swivo joint.

Memo Clip and M Stand



PZ0057

Card Holder



PZ0058

All dimensions in mm.

Product Code	W	D	H
PZ0058 - Polycarbonate	54	-	34
PZ0046 - PVC	20	-	L150
PZ0047 - PVC	35	-	L200

PZ0058 - Clear sign holder connected to adhesive base with ball and socket Swivo. Holds up to 0.5mm thick POS.
 PZ0046 and PZ0047 come with adhesive pad at one end.

Plastic Wobbler



PZ0046

Display Holder



PZ0075

All dimensions in mm.

Product Code	W	D	H
PZ0075 - PVC	25	-	14
PZ0011 - PVC	75	-	14
PZ0065 - PVC	25	-	14

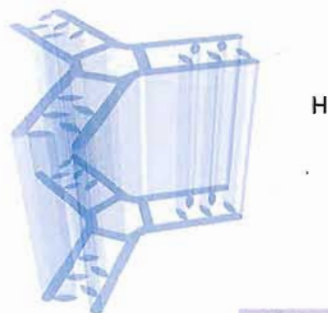
PZ0011 and PZ0075 - Co-extruded gripper accepts up to 3mm material. Depth of base 19mm with foam adhesive. PZ0065 accepts up to 1.5mm material. 12mm wide base with foam adhesive.

Display Holder



PZ0065

3 Way Display Holder



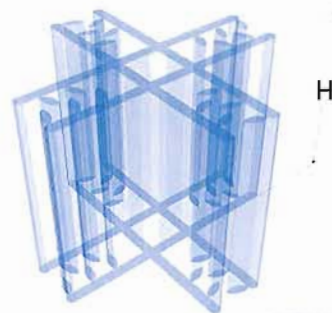
PZ0101

All dimensions in mm.

Product Code	W	D	H
PZ0101 - PVC	-	-	25
PZ0102 - PVC	-	-	25

Simply push in your printed graphics to give an effective low cost promotion. Perfect for laminated cocktail menus. Accepts up to 1.5mm material.

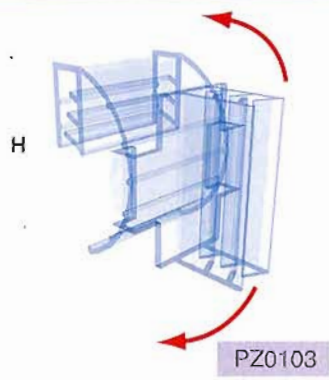
4 Way Display Holder



PZ0102

Extruded Grippers

Adjustable Holder

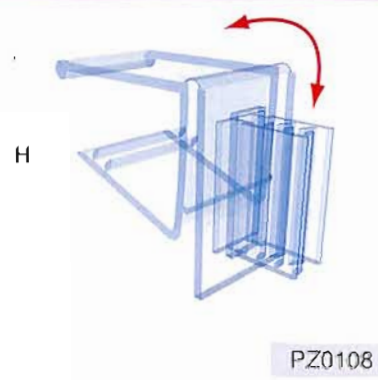


All dimensions in mm.

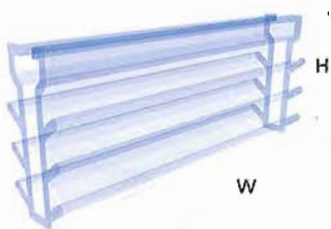
Product Code	W	D	H
PZ0103 - PVC	-	-	25
PZ0108 - PVC	-	-	25

PZ0103 Clips over ticket strips and allows graphic to be held at variable angles. Accepts up to 1.5mm material. PZ0108 fits over 15-19mm metal, glass or wooden shelves. Accepts up to 1.5mm material.

Hinged Holder for Shelves



Gripper Extrusion



All dimensions in mm.

Product Code	W	D	H
PZ0006 - PVC	40	-	17

Co-extruded gripper to suit 7-8mm channel. Accepts 2mm material. Can be supplied to any length subject to a minimum order of 500 metres. Patent Appl.No.101405661.

Double Sided Holder



All dimensions in mm.

Product Code	W	D	H
PZ0098 - PVC	75	-	26

Accepts up to 1.5mm material in both channels. Ideal for joining card graphics side by side or vertically. Overall height 25mm.



Display Holder



All dimensions in mm.

Product Code	W	D	H
PZ0109 - PVC	75	-	24
PZ0032 - PVC	75	-	20

PZ0109 - Accepts up to 1.5mm material. Foam adhesive to back. PZ0032 - Accepts up to 3mm material. Foam adhesive to back.



Extruded Grippers

Double Sided Holder



All dimensions in mm.

Product Code	W	D	H
PZ0110 - PVC	25	-	26

Accepts both 1.5mm and 3mm material.



Hinged Display Holder



All dimensions in mm.

Product Code	W	D	H
PZ0104 - PVC	75	-	16

Clips over scanner profile to allow additional information or promotional signs to be used. Accepts up to 1.5mm material.



Hinged Display Holder



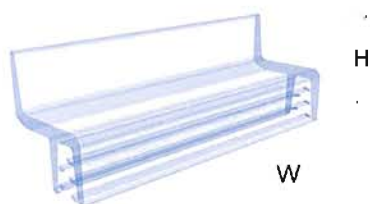
All dimensions in mm.

Product Code	W	D	H
PZ0107 - PVC	25	-	20

With 25mm back return and foam tape. Accepts up to 1.5mm material.



Slatwall Sign Holder



All dimensions in mm.

Product Code	W	D	H
PZ0112 - PVC	64	-	22

Accepts up to 1.5mm material.



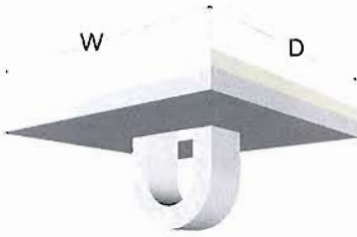
Ceiling Hanging

Ceiling Hook

All dimensions in mm.

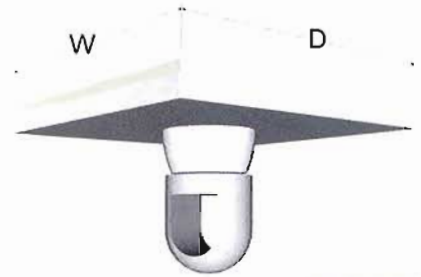
Product Code	W	D	H
PZ0142 - Adhesive	20	20	-
PZ0143 - Adhesive	30	30	-

White polypropylene ceiling hook with foam adhesive. PZ0143 with foam adhesive and rotating hook.



PZ0142

Ceiling Hook



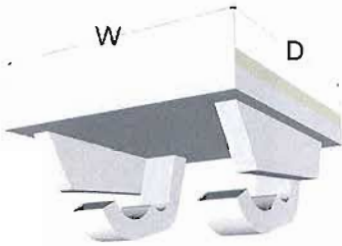
PZ0143

Ceiling Hook

All dimensions in mm.

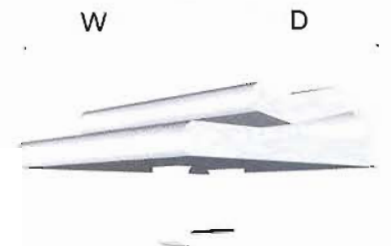
Product Code	W	D	H
PZ0144 - Adhesive	19	19	-
PZ0145 - Clip	19	19	-

PZ0144 - White polypropylene ceiling hook with foam adhesive. PZ0145 Clear polypropylene clip ceiling hook.



PZ0144

Ceiling Hook



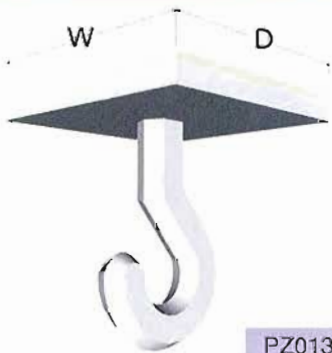
PZ0145

Ceiling Hook

All dimensions in mm.

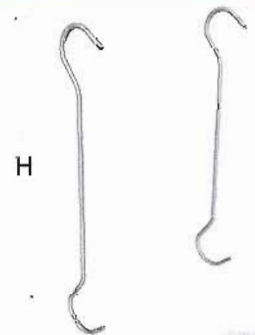
Product Code	W	D	H
PZ0139 - Adhesive	25	25	-
PZ0081 - Wire	-	-	150
PZ0096 - Wire	-	-	300
PZ0082 - Wire	-	-	400
PZ0097 - Wire	-	-	500

PZ0139 - White polypropylene ceiling hook with foam adhesive. PZ0081 - Available in four standard sizes. Can be made to any size. Minimum order applies.



PZ0139

Metal Ceiling Hook



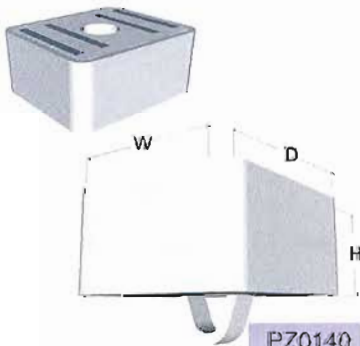
PZ0081

Magnetic Ceiling Hook

All dimensions in mm.

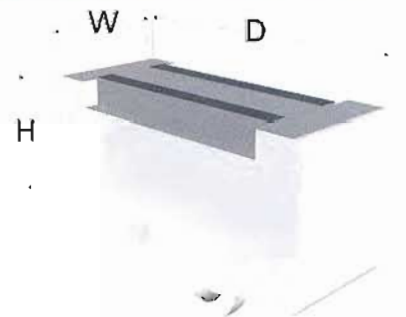
Product Code	W	D	H
PZ0140 - Magnetic	34	32	16
PZ0141 - Magnetic	12	32	15

Maximum recommended loading weight 5kg.



PZ0140

Magnetic Ceiling Hook



PZ0141

Ceiling Hanging and Suckers

Sucker with Hook



PZ0029

All dimensions in mm.

Product Code	W	D	H
PZ0029 - Hook	-	45	-
PZ0030 - Hook	-	64	-
PZ0033 - Stud	-	29	-
PZ0034 - Stud	-	45	-

The best suction cup on the market. UV resistant to prevent yellowing and becoming brittle. Integral easy release tabs. PZ0033 comes with brass knurled nut and is supplied not assembled.

Sucker with Stud and Nut



PZ0033

Merchandising and Fabrication Aids

Clear Turntable



PZ0039

All dimensions in mm.

Product Code	W	D	H
PZ0041 - Acrylic	140	-	13
PZ0039 - Acrylic	215	-	13
PZ0040 - Acrylic	305	-	16
PZ0114 - Acrylic	50	-	38

PZ0039 - Turns a static display into an eye catching spinning display.
PZ0114 - Can be bonded to many items for use in slatwall.

Slat Bracket



PZ0114

Adhesive Foam Tape



PZ0090

All dimensions in mm.

Product Code	W	D	H
PZ0090 - 50 metre	10	-	-
PZ0091 - 50 metre	25	-	-
PZ0088 - Square	25	25	-
PZ0089 - Round	-	25	-

PZ0090 - Adhesive both sides.
PZ0088 - Adhesive both sides.
PZ0088 - 2000 pads per reel.
PZ0089 - 1000 pads per reel.

Adhesive Foam Pad



PZ0088

Magnetic Tape



All dimensions in mm.

Product Code	W	D	H
PZ0020 - 30 metre	10	-	-
PZ0023 - 30 metre	20	-	-

Heavy duty 1.5mm thick magnetic tape with clear adhesive.